

IPC427

2.0MP Starlight HD Speed Dome Camera



Features

Excellent Image Quality

- 2.0 Megapixel 1/2.8" progressive scan CMOS sensor
- High definition and smooth picture, 1920 x 1080@30fps
- H.265 video codec, saves up to 50% bandwidth and storage
- Ultra low illumination, 0.006lux with color picture
- IR automatically adjusts
- WDR / 3D noise reduction / HLC / BLC

Intelligent Functions

- Motion detection / Tampering / Guard line / Enter guard area / Exit guard area

Long Operation Lifespan

- Industrial components, withstands operation temperatures of -40°C ~70°C
- IP66, TVS 6000V lightning protection, surge protection and voltage transient protection

Large Scale

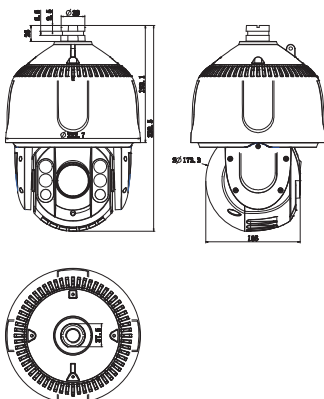
- 30x optical zoom (-F130-NP)
- IR distance up to 180m

Abundant Functions and Features

- Micro SD card optional, supports Automatic Network Replenishment (ANR)
- Up to 3 Multi-stream
- Bi-directional audio / alarm in and out
- Built-in O-sensor
- PoE (-F120-NP / -F130-NP)

Dimensions

Units: mm



Specifications

	IPC427-F020-N	IPC427-F120-NP	IPC427-F130-NP
Camera			
Image Sensor	1/2.8" progressive scan CMOS		
Pixels	2.0 Megapixel		
Min. Illumination	Color: 0.006lux @ (F2.8, AGC ON) B/W: 0.0005lux @ (F2.8, AGC ON); 0lux with IR		
Shutter Speed	1 ~ 1/30,000s		
Day / Night	Auto (ICR) / Color / B/W		
Wide Dynamic Range	Digital WDR		
S/N Ratio	>57dB		
White Balance	Auto / Manual		
Gain Control	Auto / Manual		
Backlight	Off / WDR / BLC / HLC		
Compensation			
Lens			
Focal Length	5.2 ~ 100.4mm, 20x optical		4.7 ~ 141mm, 30x optical
Zoom Speed	Approx 3s (Optical)		
Angle of View	61°~ 3.64° (Wide~Tele)		60.8°~ 2.77° (Wide~Tele)
Min. Object Distance	1000 ~ 1500mm (Wide~Tele)		
Max. Aperture Ratio	F2.8		
Focus Control	Auto / Manual / Semi-Automatic		
Infrared			
IR LED	6 pcs IR LED Array		
IR Distance	120 ~ 180m		
IR Intensity	Automatically adjust according to zoom ratio		
Pan and Tilt			
Pan / Tilt Range	360° Endless / -15° ~ 90° (Auto Flip)		
Pan / Tilt Speed	Pan manual speed: 0.1° ~ 160°/s; Pan preset speed: 160°/s Tilt manual speed: 0.1° ~ 120°/s; Tilt preset speed: 120°/s		
Proportional Zoom	Pan / Tilt speed can be adjusted automatically according to zoom multiples		
Preset	256		
Patrol	8 Patrols scheme, up to 32 presets per patrol		
Pattern Scan	4 Scan paths, each path can record 10 minutes of operation path		
Power-off Memory	Power-off memory / Power-on recovery		
Auto Guard	Path / Preset / Mixed / Pan scan / Tilt scan / Frame scan / Random scan / Panorama scan		
PT Limit	Manual / Scan / Pan		
3D Positioning	PTZ control with mouse click and drag		
Electronic compass	Built-in O-sensor		
Video			
Compression	H.265 / H.264 / MJPEG		
Image Resolution	Main stream: 1080p Secondary stream: 720p		
Frame Rate	Main stream: 1080p@30fps Secondary stream: 720p@30fps		
Bitrate	32~16384Kbps		
Bitrate Control	VBR / CBR		
Multi-stream	Supported		
Caption	Date and time / Alarm / Direction / Customized		
Privacy Masking	Up to 4 zones		
Motion Detection	Up to 4 zones		
Video Freeze	Supported		
ROI	Supported		
Digital Noise	3D noise reduction		
Reduction	Supported		
Electronic Defog	Supported		
Image Flip	Flip / Mirror		
Audio			
Compression	G.711a / G.711u / ADPCM / G.722 / AAC-LC / G.722.1c / G.726		
Bitrate	32kbps ~ 64kbps		
Audio Function	Bi-directional audio / AEC / Mixed audio recording / Dumb / Mute		
Network			
Network Protocols	TCP/IP, UDP, HTTP, DHCP, DNS/DDNS, RTP/RTCP, RTSP, PPPoE, FTP, VSIP, UPnP, 802.1x, NAT, QoS, SMTP, IPv4, IPv6 (optional)		
User Interface	IPC Control (IE, Firefox, Chrome)		
Max. User Access	Max. 10 Users (includes 2 internal)		
Application	ONVIF (Profile S, Profile G), GB/T 28181-2011, API, CGI		
Programming			
Automatic Network Replenishment (ANR)	Supported		
Alarm			
Alarm Triggers	Alarm input / Network disconnect / Disk full / Disk error		
Intelligent	Motion detection / Tampering / Guard line / Enter guard area / Exit guard area		
Alarm Events	Alarm report / Recording / Text overlay / Snapshot / External output / Email notice / Acoustic alarm		
Interfaces			
Ethernet	10/100M, RJ45 interface		
Audio In / Out	1 x Line in / 1 x Line out		
Alarm In / Out	2 x Input / 1 x Output		
Memory Slot	Built-in SD card (optional), supports up to 128GB		
Environmental			
Operating Temperature	-40°C ~ 70°C / -40°F ~ 158°F		
Operating Humidity	10% ~ 95%		
Protection Level	IP66, TVS 6000V lightning protection, surge protection and voltage transient protection		
Electrical			
Power	24V AC / 3A (Power adapter 24V AC / 3A (Power adapter not included) / Hi-PoE (PSE module included)		
Power Consumption	Max. 35W (IR on)		
Mechanical			
Weight	6.6 kg / 14.55lb (Gross Weight)		
Dimensions	Ø222.7 x 339.5mm / Ø8.77" x 13.35"		