

## 2.0MP HD Starlight Vandal-proof Semi Dome Camera



### Features

#### Excellent Image Quality

- 2.0 Megapixel 1/1.9" progressive scan CMOS Sensor
- High definition and smooth picture, 1080p@60fps
- H.264 high profile video codec, saves up to 30% bandwidth and storage
- Ultra low illumination, 0.002lux with color picture
- WDR / 3D noise reduction

#### Vandal-Proof

- Above IK10 @ 50J collision energy

#### A Variety of Installation Modes

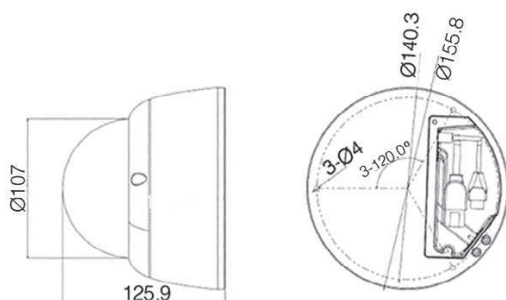
- Supports 90°, 180°, 270° image rotation

#### Abundant Functions and Features

- Supports Automatic Network Replenishment (ANR)
- Up to 4 video streams
- Bi-directional audio / alarm in and out / video out / RS485
- PoE
- IP67

### Dimensions

Units: mm



### Specifications

Model	IPC2231-EN -L3
<b>Camera</b>	
Image Sensor	1/1.9" progressive scan CMOS
Pixels	2.0 Megapixel
Min. Illumination	Color: 0.002lux @ (F1.8, AGC ON) B/W: 0.0002lux @ (F1.8, AGC ON)
Shutter Speed	1/10 ~ 1/10,000s
Day / Night	Auto (ICR) / Color / B/W
Wide Dynamic Range	Digital WDR
S/N Ratio	>50dB
White Balance	Auto / Manual
Gain Control	Auto / Manual
Backlight Compensation	Off / BLC / WDR
<b>Lens</b>	
Mount Type	M12
Focal Length	2.95mm
Angle of View	142°
Adjustment Range	Pan: 0° ~ 355° / Tilt: 0° ~ 75° / Rotation: 0° ~ 355°
<b>Video</b>	
Compression	H.264 / MJPEG
Image Resolution	Main stream: 1080p Secondary stream: D1
Frame Rate	Main stream: 1080p@60fps Secondary stream: D1@30fps
Bitrate	64kbps ~ 16Mbps
Bitrate Control	VBR / CBR
Multi-stream	Supported
Caption	Date and time / Alarm / Customized
Privacy Masking	Up to 4 zones
Motion Detection	Up to 4 zones
Video Freeze	Supported
Digital Noise Reduction	3D noise reduction
Image Flip	Flip / Mirror / Rotation at 90°, 180°, 270°
<b>Audio</b>	
Compression	G.711a / G.711u / ADPCM / G.722 / AAC-LC
Bitrate	32kbps ~ 64kbps
Audio Function	Bi-directional audio / AEC / Mixed audio recording / Dumb / Mute
<b>Network</b>	
Network Protocols	TCP/IP, UDP, HTTP, DHCP, DNS/DDNS, RTP/RTCP, RTSP, PPPoE, FTP, VSIP, IPv4, IPv6 (optional)
User Interface	IPC Control (IE)
Max. User Access	Max. 10 Users (includes 2 internal)
Application Programming	ONVIF (Profile S), GB/T 28181-2011, API, CGI
Automatic Network Replenishment (ANR)	Supported
<b>Alarm</b>	
Alarm Triggers	Motion detection / Alarm input
Alarm Events	Alarm caption / Snapshot / External output
<b>Interfaces</b>	
Ethernet	10/100M, RJ45 interface
Audio In / Out	1 x Line in / 1 x Line out
Control	1 x RS485
Alarm In / Out	3 x Input / 1 x Output
Video Out	1 x BNC, 1.0V [p-p] / 75Ω
Memory Slot	TF card slot, supports up to 128GB
<b>Environmental</b>	
Operating Temperature	-30°C ~ 60°C / -22°F ~ 140°F
Operating Humidity	10% ~ 95%
Protection Level	IK10+ @50J, IP67
<b>Electrical</b>	
Power	12V DC ± 10% / PoE (IEEE802.3af)
Power Consumption	Max. 11W
<b>Mechanical</b>	
Weight	1kg / 2.2lb (Gross Weight)
Dimensions	Φ155.8 x 125.9mm / Φ6.14" x 4.96"