

# IPC425-E130-N

## 2.0MP HD 30x Network IR Speed Dome Camera

**KEDACOM**



### Features

#### Excellent Image Quality

- 2.0 Megapixel 1/2.8" Progressive Scan CMOS Sensor
- High definition and smooth picture, 1080p@30fps
- H.264 high profile video codec, save up to 30% bandwidth and storage
- Low illumination, 0.05Lux with color picture
- WDR support / IR automatically adjust / 3D noise reduction

#### Long Operation Lifespan

- Industrial IR LED and components, withstand operation temperature of -40°C ~ 70°C
- IP66, TVS 6000V lightning protection, surge protection and voltage transient protection

#### Large Scale

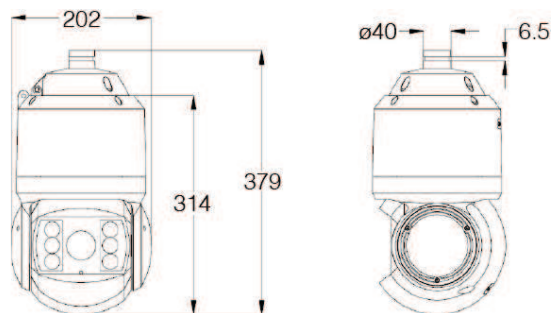
- 30x optical zoom
- IR distance up to 180m

#### Abundant Functions and Features

- SD card slot, support Automatic Network Replenishment (ANR)
- Dual stream (1080p+D1)
- Bi-directional audio / alarm in&out / video out / RS485
- Wiper

### Dimensions

Units: mm



### Specifications

Model	IPC425-E130-N
<b>Camera</b>	
Image Sensor	1/2.8" Progressive Scan CMOS
Pixels	2.0 Megapixel
Min. Illumination	Color: 0.05Lux @ (F1.6, AGC ON) B/W: 0.005Lux @ (F1.6, AGC ON); 0Lux with IR
Shutter Speed	1/10 ~ 1/10,000S
Day / Night	Auto (ICR) / Color / B/W
Wide Dynamic Range	Digital WDR
S/N Ratio	>55dB
White Balance	Auto / Manual
Gain Control	Auto / Manual
Backlight Compensation	Off / BLC / WDR
<b>Lens</b>	
Focal Length	4.3 ~ 129mm, 30x
Zoom Speed	Approx 3s (Optical)
Angle of View	58.9° ~ 2.1° (Wide~Tele)
Min. Object Distance	300 ~ 1500mm (Wide~Tele)
Max. Aperture Ratio	F1.6 (Wide) / F5 (Tele)
Focus Control	Auto / Manual / Semi-Automatic
<b>Infrared</b>	
IR LED	12pcs IR LED Array
IR Distance	120 ~ 180m
IR Intensity	Automatically adjust according to zoom ratio
<b>Pan and Tilt</b>	
Pan / Tilt Range	360° Endless / -15° ~ 90° (Auto Flip)
Pan / Tilt Speed	Pan manual speed: 0.1° ~ 200°/s; Pan preset speed: 220°/s Tilt manual speed: 0.1° ~ 150°/s; Tilt preset speed: 200°/s
Proportional Zoom	Pan / Tilt speed can be adjusted automatically according to zoom multiples
Preset	255
Patrol	8 Patrols scheme, up to 32 presets per patrol
Power-off Memory	Power-off memory / Power-on recovery
Auto Guard	Patrol / Preset / Pan scan / Tilt scan / Frame scan / Random scan / Panorama scan
PT Limit	Manual / Scan / Pan
3D Positioning	PTZ control with mouse click and drag
Wiper	Support
<b>Video</b>	
Compression Format	H.264
Image Resolution	Main stream: 1080p Secondary stream: D1
Frame Rate	Main stream: 1080p@30fps Secondary stream: D1@30fps
Bitrate	64kbps ~ 8Mbps
Bitrate Control	VBR / CBR
Dual stream	Support
Caption	Date&Time / Alarm / 3 customized groups (Support up to 64 characters)
Privacy Masking	Up to 4 zones
Motion Detection	Up to 4 zones
Video Freeze	Support
Digital Noise Reduction	3D noise reduction
Image Flip	Flip / Mirror
<b>Audio</b>	
Compression Format	G.711a / G.711u / ADPCM / G.722 / AAC-LC
Bitrate	32kbps ~ 64kbps
Audio Function	Bi-directional audio / AEC / Mixed audio recording / Dumb / Mute
<b>Network</b>	
Network Protocol	TCP/IP, UDP, HTTP, DHCP, DNS/DDNS, RTP/RTCP, RTSP, PPPoE, FTP, VSIP
User Interface	IPC Control
Max. User Access	10 Users (include 2 internal access)
Application Program	Onvif, GB/T 28181-2011, API
<b>Alarm</b>	
Alarm Triggers	Motion detection / Alarm input
Alarm Events	Alarm caption / Snapshot / External output
<b>Interfaces</b>	
Ethernet	10/100M, RJ45 interface
Audio In / Out	1 x Line in / 1 x Line out
Control	1 x RS485
Alarm In / Out	4 x Input / 2 x Output
Video Out	1 x BNC, 1.0V [p-p] / 75Ω
Memory Slot	SD card slot, support 128GB
<b>Environmental</b>	
Operating Temperature	-40°C ~ 70°C / -40°F ~ 158°F
Operating Humidity	10% ~ 95%
Protection Level	IP66, TVS 6000V lightning protection, surge protection and voltage transient protection
<b>Electrical</b>	
Power	24V AC / 3A (Power adapter included)
Power Consumption	Max. 50W (IR on)
<b>Mechanical</b>	
Weight	8Kg / 17.6lb (Gross Weight)
Dimensions	Φ202 x 379mm / Φ7.95" x 14.92"