

# IPC2452-HN/HNB-PIR

## 4.0MP HD Network IR Bullet Camera



### Features

#### Excellent Image Quality

- 4.0 Megapixel 1/3" progressive scan CMOS Sensor
- High definition and smooth picture, 2592×1520@20fps, 2048×1520@25fps, 1080p@30fps
- H.265 video codec, saves up to 50% bandwidth and storage
- Low illumination, 0.05lux with color picture
- WDR / HLC / 3D noise reduction

#### Intelligent Functions

- Motion detection / Tampering / Guard line / Enter guard area / Exit guard area

#### Integrated High Efficiency IR

- Industrial IR LED with long operational lifespan
- 30 ~ 50m IR distance
- Smart IR function

#### A Variety of Installation Modes

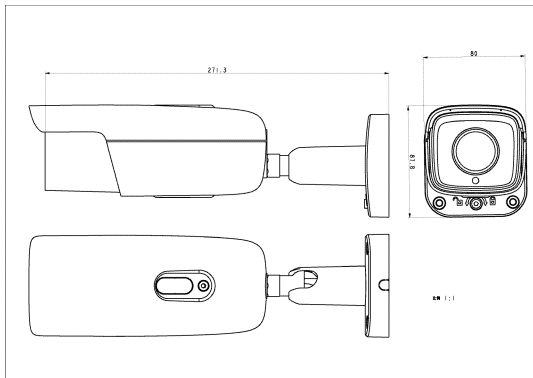
- Supports 90°, 180°, 270° image rotation

#### Abundant Functions and Features

- Micro SD card slot, supports Automatic Network Replenishment (ANR)
- Dual-stream (2592×1520 + D1)
- Anti-fog glass
- -40°C ~ 70°C operation temperature
- PoE
- IP67 (-HNB only)

### Dimensions

Units:mm



### Specifications

IPC2452-HN/HNB-PIR	
Camera	IPC2452-HN/HNB-PIR
Image Sensor	1/3" progressive scan CMOS
Pixels	4.0 Megapixel
Min. Illumination	Color: 0.05lux @ (F1.6, AGC ON) B/W: 0lux with IR
Shutter Speed	1 ~ 1/30,000s
Day / Night	Auto (ICR) / Color / B/W
Wide Dynamic Range	Digital WDR
S/N Ratio	>50dB
White Balance	Auto / Manual
Gain Control	Auto / Manual
Backlight Compensation	Off / WDR / BLC / HLC
Lens	
Mount Type	M12
Focal Length	3.6mm (-L0360) / 6mm (-L0600) / 8mm (-L0800) / 12mm (-L1200) / 16mm (-L1600)
Angle of View	78.6° (-L0360) / 53.2° (-L0600) / 36.8° (-L0800) / 23.7° (-L1200) / 17.8° (-L1600)
Infrared	
IR Distance	30m (-L0360, -L0600, -L0800) 50m (-L1200, -L1600)
IR Intensity	Smart IR
Video	
Compression	H.265 / H.264 / MJPEG
Image Resolution	Main stream: 2592×1520 Secondary stream: D1
Frame Rate	Main stream: 2592×1520@20fps, 2048×1520@25fps, 1080p@30fps Secondary stream: D1@30fps
Bitrate	64kbps ~ 16Mbps
Bitrate Control	VBR / CBR
Dual-stream	Supported
Caption	Date and time / Alarm / Customized
Privacy Masking	Up to 4 zones
Motion Detection	Up to 4 zones
ROI	Supported
Digital Noise Reduction	3D noise reduction
Digital Defog	Supported
Image Flip	Flip / Mirror / Rotation at 90°, 180°, 270°
Network	
Network Protocols	TCP/IP, UDP, HTTP, DHCP, DNS/DDNS, RTP/RTCP, RTSP, PPPoE, FTP, VSIP, UPnP, 802.1x, NAT, QoS, SMTP, IPv4, IPv6 (optional)
User Interface	IPC Control (IE, Firefox, Chrome)
Max. User Access	Max. 10 Users (includes 2 internal)
Application Programming	ONVIF (Profile S, Profile G), GB/T 28181-2011, API, CGI
Automatic Network Replenishment (ANR)	Supported
Alarm	
Alarm Triggers	Network disconnect / Disk full / Disk error
Intelligent	Motion detection / Tampering / Guard line / Enter guard area / Exit guard area
Alarm Events	Alarm report / Recording / Text overlay / Snapshot / Email notice
Interfaces	
Ethernet	10/100M, RJ45 interface
Memory Slot	Micro SD card slot, supports up to 128GB
Environmental	
Operating Temperature	-40°C ~ 70°C / -40°F ~ 158°F
Operating Humidity	10% ~ 95%
Protection Level	-HN: IP66 -HNB: IP67
Electrical	
Power	12V DC ± 10% / PoE (IEEE802.3af)
Power Consumption	Max. 11W
Mechanical	
Weight	-HN: 1kg / 2.2lb (Gross Weight) -HNB: 1.2kg / 2.65lb (Gross Weight)
Dimensions	-HN: 181.5 x 80 x 73mm / 7.15" x 3.15" x 2.87" -HNB: 271.3 x 80 x 87.8mm / 10.68" x 3.15" x 3.46"
Mounting Bracket	-HN: Bracket not included -HNB: Bracket included