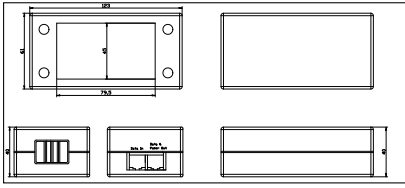


Single Port 38.4W Gigabit Power Over Ethernet Injector

OM-PSU-PS-GE

Dimension Diagram: mm



Picture:



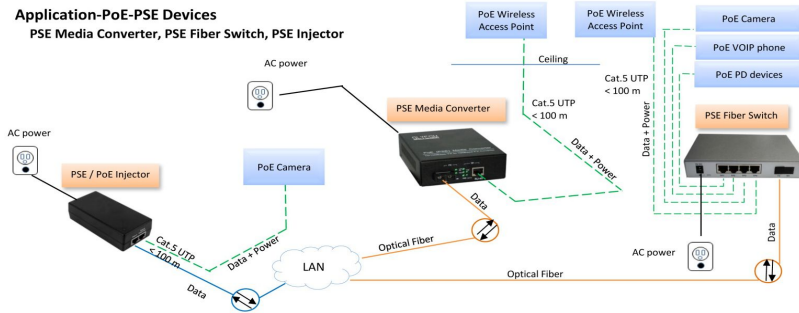
Features

- Compliant with Isolation and Channel Characteristics of IEEE802.3af
- DC Good LED
- Non-Vented Case
- Data and Power carried over one Ethernet Cable
- Full Protection- OCP, OVP

Applications

- IP Telephones
- Wireless Network Access Points
- Blue Tooth Access Point
- Security Camera
- IP Print Servers

Application-PoE-PSE Devices
PSE Media Converter, PSE Fiber Switch, PSE Injector



Safety Approvals

- CE

Mechanical Characteristics

- Length: 123mm
- Width: 61mm
- Height: 40mm
- Weight: 0.4Kg

Output Specifications

Model	DC Output Voltage	Load		Regulation	
		Min.	Max.	Line	Load
OM-PSU-PS-GE	48V	0A	0.8A		±4%

Ripple And Noise*	Vp-p*
<500Hz	0.5
500Hz-150KHz	0.5
150KHz-500KHz	0.5
500KHz-1MHz	0.5

Olycom is not responsible for any error and change. Content is subject to change without notice.

OM-PSU-PS-GE Characteristics

INPUT:

AC Input Voltage Range

90 to 264VAC

AC Input Voltage Rating

100 to 240VAC

AC Input Current

0.5A(RMS) max. for 90VAC

0.35A(RMS) max. for 240VAC

Leakage Current

0.25mA max. @ 254VAC 60Hz

AC Input Frequency

47-63Hz

AC Inrush Current

15A(RMS) max. for 115VAC

20A(RMS) max. for 230VAC

OUTPUT:

Total Output Power

38.4W

Efficiency

80% (typical) at Max. load, and 120VAC 60Hz

Hold-up Time

16mS min. 120VAC and max. load

Transient O/P Voltage Protection

60V max. at switch on and off at any AC line Phase

ENVIRONMENTAL:

Temperature

Operation 0 to +40°C

Non-operation -25 to +65°C

Humidity

Operation 5 to 90%

EMC

FCC Part 15 Class B

EN55022 Class B

Isolation Test

Primary to Secondary: 3000VAC for 1 minute 10mA

Primary to F.G.: 1500VAC for 1 minute

Output to F.G.: 1500VAC

Immunity EN50082-1

ESD: EN61000-4-2, Level 3

RS: EN61000-4-3, Level 2

EFT: EN61000-4-4, Level 2

Surge: EN61000-4-5, Level 3

CS: EN61000-4-6, Level 2

Voltage Dips EN61000-4-11

Harmonic: EN61000-3-2

Insulation Resistance

Primary to secondary: >10M OHM 500VDC

Primary to FC: >10M OHM 500VDC

FEATURE:

Over Voltage/Current, Short Circuit Protection

The output can be shorted permanently without damage

Indicators

Led #1 indicator for input power "on" GREEN

Input Connector

IEC320 inlet 3 pin

Data Connector

RJ45 +48V pins3&6,4&5, Power Return pins1&2,7&8

Ordering information:

OM-PSU-PS-GE Single-Port Mid-Span PSE/PoE Injector, 1000Mbps, 220VAC In -48VDC out, 0.8A, 38.4W

*Above listed is the most frequently ordered item. Please contact us for other configurations.