

FD920

3MP fixed dome, 3-9 mm motorized, H.265/H.264/MJPEG, SFP

DESCRIPTION

The FD920 is a 3MP HD fixed dome camera with built-in IR illumination providing clear images under any lighting condition. With its IP66 construction, IK10 vandal resistant housing and motorized lens, installation is fast and easy, and remote adjustment is simple.

FEATURES

1/2.8 Progressive scan CMOS imager

3.0 to 9.0 mm motorized varifocal lens

3MP @ 30 fps HDR

100Mb SFP slot

H.265/H.264/MJPEG video compression

120 dB WDR (HDR)

Built-in IR illuminator (effective distance: 40 m)

Day/Night with IR-cut filter

IP66, IK10 vandal proof

ONVIF Profile S, G and Q



Description

The FD920 is a 3MP fixed dome IP-camera with built-in IR illumination and a flexible SFP interface.

Versatile SFP connection

Due to its 100Mb SFP slot the camera can be connected either direct to fiber or CAT5 Ethernet wiring or over the existing coax. For each solution Siqura can provide for a cost effective SFP module.

Multi-stream high definition

The camera has the capability to stream simultaneous 4 video streams in H.265, H.264 and MJPEG. Multiple combinations of encoding, resolution and frame rate can be configured to satisfy different live viewing and recording scenarios. Each selected resolution-frame rate combination can be freely set to a stream number.

Open standards

Multiple options are available to easily integrate the FD920 to a video management system. In support of open standards, the camera is compliant with the ONVIF Profile S, Profile G and Profile Q specification.

Image enhancement

The FD920 provides automatic day/night functionality with configurable thresholds, for use in low-light situations. Backlight compensation enhances image visibility in difficult lighting situations. The FD provides two modes for wide dynamic range. Single image WDR using nonlinear gain in a single image. The second, dual shutter WDR or HDR, which makes two different exposure settings to capture both darker and lighter areas with excellent details. The resulting image is a blend of the best parts of the two exposures. In addition, the FD920 offers headlight compensation (HLC) and back-light compensation (BLC).

Privacy masks

With the privacy masks feature you can cover sections of the image to ensure privacy.

Camera	
Image sensor	FD920 1/2.8 Progressive scan CMOS; FD920(BHR) 1/3 Progressive scan CMOS
Effective pixels	FD920 2065x1553, 3Mp; FD920(BHR) 2720 (H) x 1536(V), 4Mp
Minimum scene illumination	FD920 0.04 lux color, 0.002 lux (b/w); FD920(BHR) 0.1 lux color, 0.01 lux (b/w)
Shutter speed	1 - 1/10,000 s
Lens	3.0 to 9.0 mm, F1.7
Lens type	Auto P-iris, motorized zoom
Horizontal field of view	110° (wide) to 38°(tele)
Focus	Push-to-focus
Functions	
Privacy masks	8 colors, 5 masks
Text and picture overlay	Date, time, date & time, subtitle, image
Video motion detection	On / off / by schedule
Video motion detection alarm	Alarm output, record video clip, send alarm message, upload image
Network failure detection	On / off / by schedule
Network failure detection alarm	Alarm output, record video clip, send alarm message, upload image
Tamper detection	On / off / by schedule
Tamper detection alarm	Alarm output, record video clip, send alarm message, upload image
Behavior Analytics	Intrusion, Loitering Detection, Object Abandoned, Object Removal, Camera Sabotage, Wrong Direction, Object Counting
Image control	
Wide dynamic range	
- gamma WDR	80 dB
- dual shutter WDR (HDR)	120 dB (default on limits frame rate to 30 fps)
Exposure	Auto, Manual
White balance	Auto, ATW, Manual, One push
Image settings	Contrast, Brightness, Saturation, Hue, Sharpness
Day/Night function	Auto, night, day
	Configurable day/night threshold levels, IR light compensation
Noise reduction	3DNR, 2DNR, Color
	Low, medium, high (w/ Motion Compensation)
Backlight compensation	On/Off
Digital zoom	10 x
Image rotation	0°, 90, 180, 270 rotation
Video	
Compression algorithm(s)	H.265, H.264 (main / high profile); MJPEG
Number of compression instances	Any combination of H.265 or H.264 streams with possibly one MJPEG stream.
Supported resolutions	22065x1553 (3MP); 1080p30,1280x1024; 720p60; 1024x768; 800x600;

Specs

Video				
	720x576 (D1); 640x480 (VGA); 352x288 (CIF)			
Max streaming (H264/H265/MJPEG) 60fps	1080 x 720	640x408		
30fps	2065x1553	800x600	352x240	
30fps	1920x1080	1920x1080	800x600	352x240
30fps	1920x1080	1280x720	1280x720	1024x768
Compression bit rate control	Constant bit rate (CBR), variable bit rate (VBR), Low bit rate (LBR)			
Number of video output streams	Up to 20 (RTSP)			
Total output data rate (max)	60 Mb/s			
Video frame rate	1 to 60 fps / 1 to 50 fps			
Analog video output	PAL/NTSC			
- Connector type	BNC (1.0 Vpp in 75)			
Audio				
Two-way audio	Line in / line out			
Compression	G.711 (μ -law, a-law) / G.726 / AAC / PCM			
Connector type	Female phone jack, 3.5 mm (2x)			
Alarm inputs/output				
Input	2x 0 - 5 V, 10 k pull-up			
Output	1x Photo relay output 300 Vdc/ac			
Operational modes	Normally open; normally closed			
Connector type	Terminal block			
Storage				
Storage options	Micro SD/SDHC/SDXC card (512 GB max); NAS			
Network				
Interface(s)	100 Mb Ethernet SFP			
Network protocols	IPv4/v6, TCP/IP, UDP, RTP, RTSP, HTTP, HTTPS, ICMP, FTP, SMTP, DHCP, PPPoE, IGMP, IEEE 802.1x, QoS			
Connector type	SFP slot			
Management				
Supported browsers	Internet Explorer 10+ (Chrome, Firefox, Edge: no OCX support)			
Security	HTTPS, IP Filter, IEEE 802.1x			
Protocols	UPnP, SNMP, ONVIF Profile S, G and Q			
Password levels	User and Administrator			
User accounts	20			
Powering				
Power	24 Vac / 12 Vdc			
Power consumption	< 13.6 W			

Specs

Powering

Connector type	2 pin terminal block
----------------	----------------------

Environmental

Operating temperature	-55 C to +55 C (-67 F to +131F)
Relative humidity	10% to 90%, no condensation

Mechanical

Dimensions (camera body)	diameter 150.5 x 125,5 mm (diameter 5.9 x 4.9 in)
Weight	0.82 kg (1.81 lbs)
Color	RAL 9003 (Signal white)
Built-in IR illuminator	
- Working distance	Up to 40 m
- Wavelength	850 nm
- Number of LEDs	8
Ingress protection	IP66
Impact rating	IK10

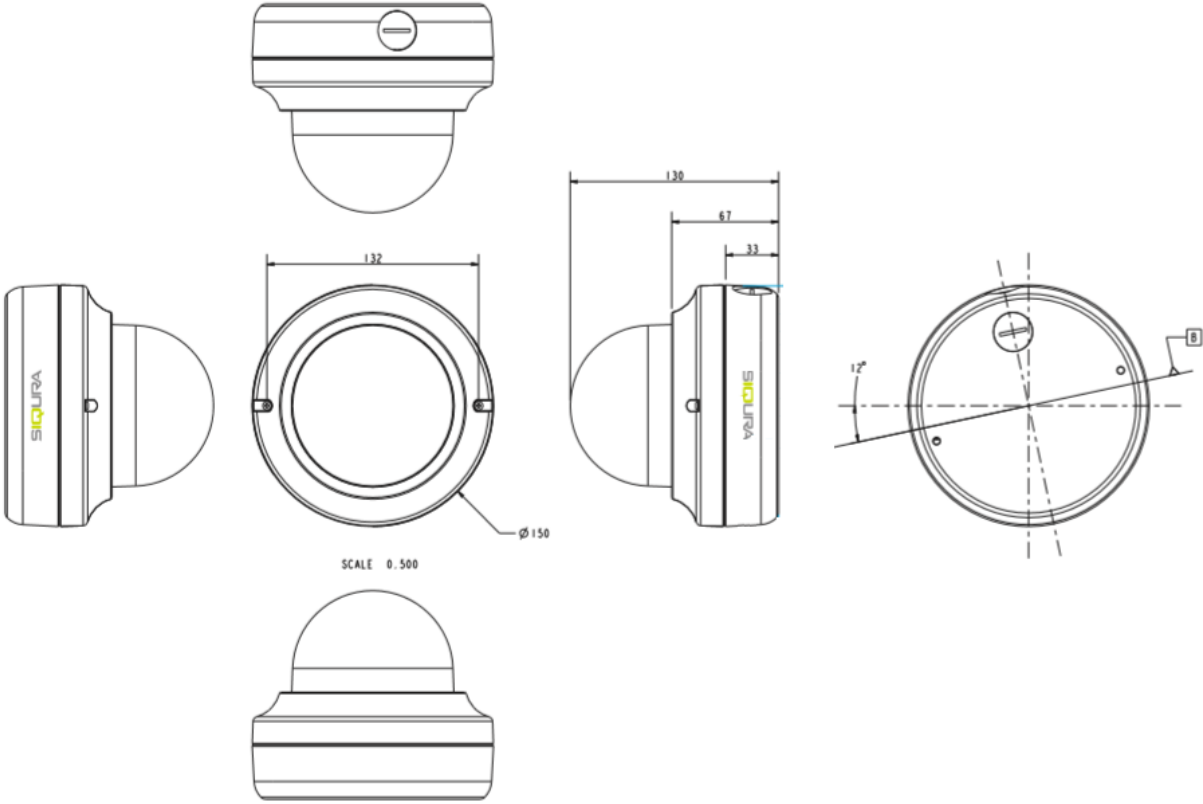
Ordering information

FD920	Fixed dome, 3MP, 3-9mm motorized, H.265/H.264, SFP, IR, IK10
FD920(BHR)	Fixed dome, 4MP, 3-9mm motorized, H.265/H.264, SFP, IR, IK10

Accessories

ECOplug	Ethernet over Coax SFP Module
XSNet SFP series	Small Form-Factor Pluggables
WM02/FD-SFP	Tube adapter/pendant mount for FD-SFP
WM01A	Wall mount bracket
CM01	Ceiling Mount, Straight Tube, 25cm
CM02	Ceiling Mount, Straight Tube, 50cm

PRODUCT DIMENSION IN MM



RELATED



Siqura SFP Module
SFP modules for Ethernet over fiber



Siqura ECO-plug
Ethernet over Coax 100Mb SFP Module